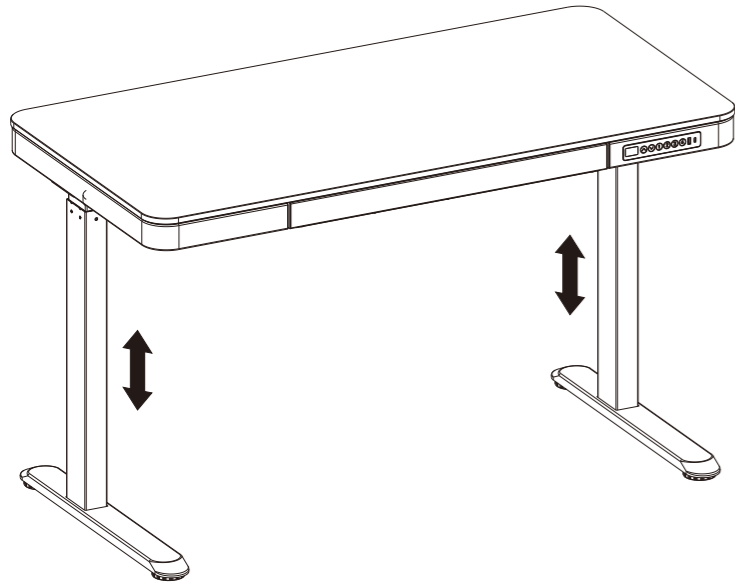


# A G I L

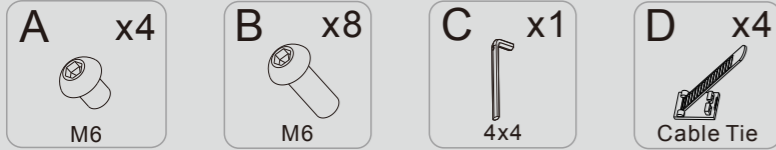


## Technical Data

Model No.	ET119W-C
Column Stage	2
Maximum Load Capacity	45KG
Max Speed	25mm/s
Input Voltage	100-240V
Lowest Position	720mm
Highest Position	1220mm
Desktop Dimension	1204mmx604mm

## Accessory List

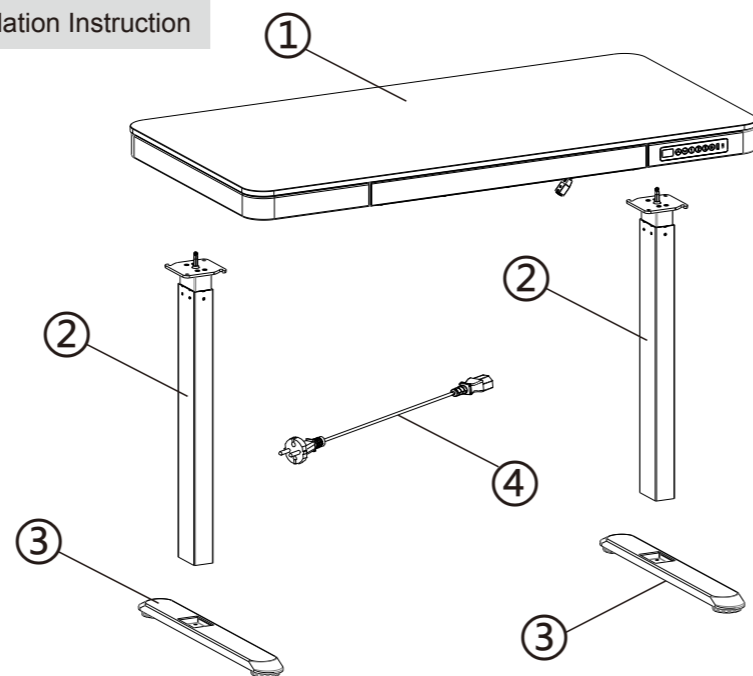
Attention: The drawings below are only for guidance and they may differ slightly from the product and fittings received. Please contact our customer service department if you have any queries.



## Part List

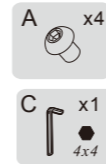
## Installation Instruction

No.	Part	Qty
①	Tabletop Assemblies	1
②	Lifting column	2
③	Pedestal	2
④	Power Cord	1



## STEP 1

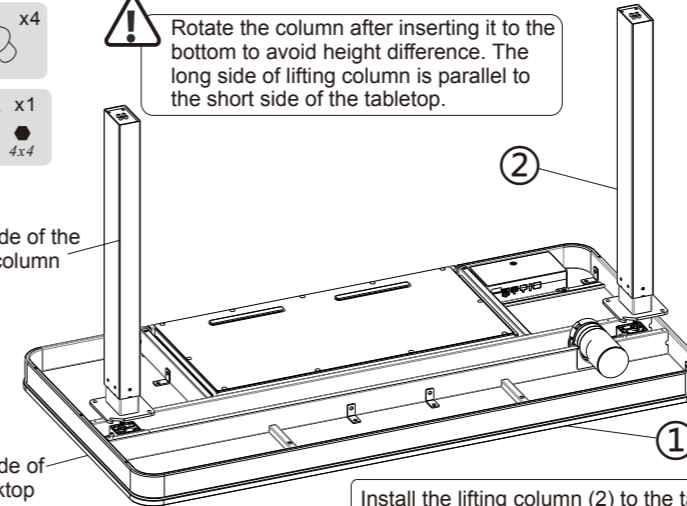
Install the lifting columns



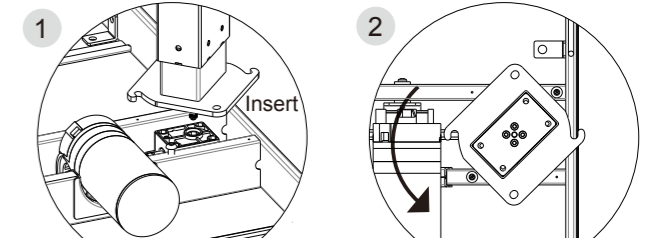
Rotate the column after inserting it to the bottom to avoid height difference. The long side of lifting column is parallel to the short side of the tabletop.

long side of the lifting column

Short side of the desktop

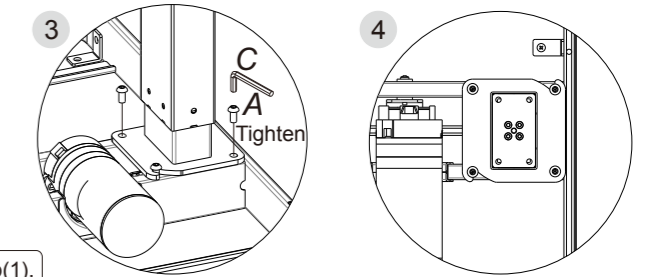


Install the lifting column (2) to the tabletop(1), then tighten the screws(A) with allen key (C).



Insert the hexagon head of the column along the wiring trough.

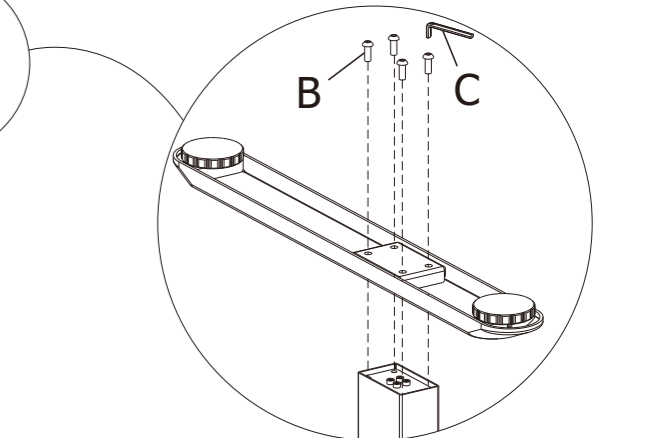
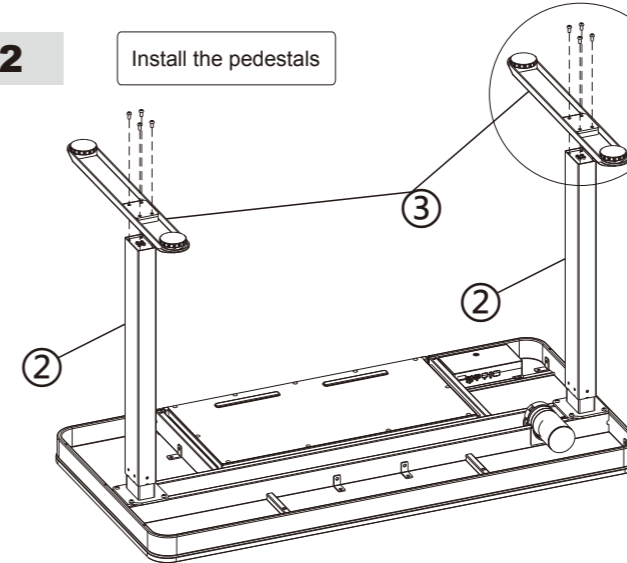
Rotate the column after inserting it, making the screws on the supporting beam into the column slot



Tighten eight screws (A) with 4x4 allen key

## STEP 2

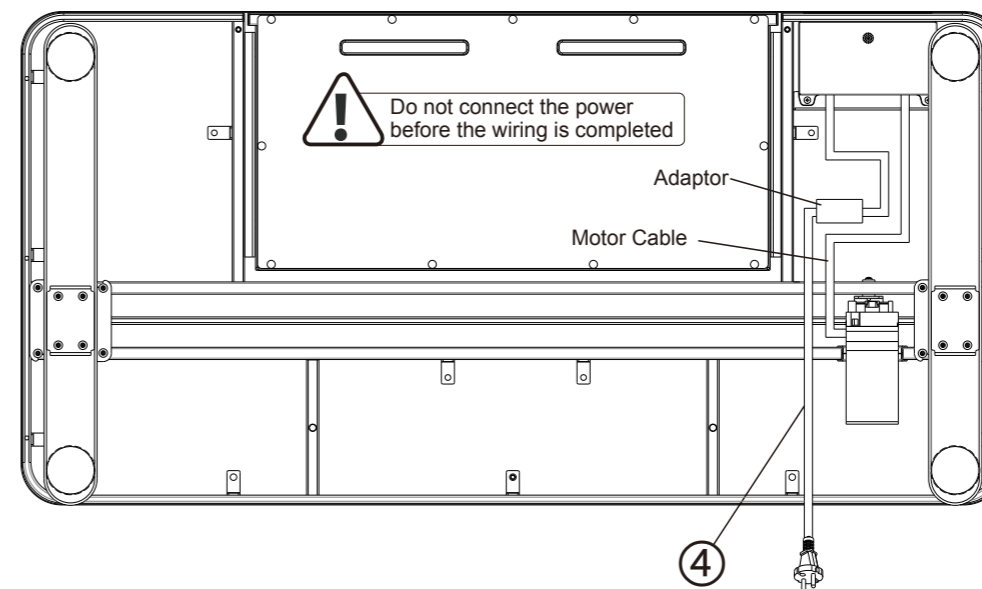
Install the pedestals



Install the pedestals (3) to the lifting columns (2) with the screws (B) and tighten it with 4x4 allen key (C).

## STEP 3

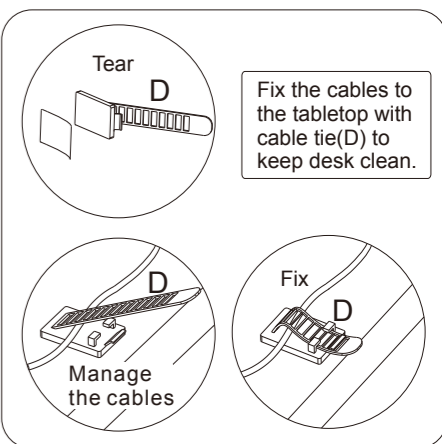
Connect all cables to the adaptor



Do not connect the power before the wiring is completed

Adaptor

Motor Cable



Tear D

Fix the cables to the tabletop with cable tie(D) to keep desk clean.

Manage the cables

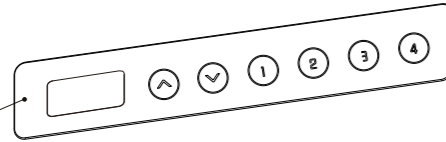
Fix D

Connect the motor cable, power cord (4) and adaptor as shown in the figure, and use the cable tie (D) to sort out and fix the wires.

## Operation Instruction

Key button

LED Screen



1. Press the up/down button to adjust the height of the desk. When the desktop runs to the lowest point, the screen will display "bot". Otherwise, the desktop will display "top" when the desktop runs to the highest point.
2. Key button: "1", "2", "3", "4" are the four height memory keys, long press the button about 3 seconds to record the current height.
3. Press the "3" and the "4" buttons simultaneously for 5 seconds, "RST" will be displayed on the screen, keep pressing "▼" button until the desk reaches the lowest point and then bounce up to stop, meaning the desk can work normally.
4. The desk has one Type-A port and one type-C port. Each port can power other digital devices, supporting charging protocol:  
One USB port: 5V --- 3A/9V --- 2A/12V --- 1.5A/20V --- 1.35A 27W Max,  
One Type-C port: 5V --- 3A/9V --- 3A/12V --- 3A/15V --- 3A/20V --- 2.25A, 45W Max,  
Dual ports: 7.5W+7.5W. Output will be cut when the desk is rising or going down and when the movement stops, the port will start to output.
5. Long press the "up" and "down" button simultaneously to adjust the sensitivity of anti-collision function with a buzzer sound. The anti-collision function will be closed when the screen shows "A-0"; the sensitivity is at level "A-1" when the screen shows "A-1", the sensitivity is at level "A-2" when the screen shows "A-2", the sensitivity is at level "A-3" when the screen shows "A-3", the level "A-3" has the maximum sensitivity.

### ● Troubleshooting:

- a. Reset: When the LED shows "#5f", press "▼" button until the desk reaches its lowest height and rebounds to stop, it means the reset has been finished.
- b. When "step a" doesn't work and the LED shows "E01" or "E02", please retry 18 minutes later.
- c. If the "▼" button doesn't work, please check the cable connection and then cut off the power for at least 10 seconds. Reconnect to the power and press "▼" button to start the reset process when it shows the "#5f".
- d. If all these above process are inefficient, please contact our customer service.

## Common fault treatment

The following tips will help you detected and eliminate the common fault and error. If the fault you met is not listed below, please contact with your supplier. Only the manufacturer and professionals are capable for investigating and correcting those fault and error.

Fault phenomenon	Method
The desktop could not function	Check if all the cables well connected;
Rising in a low speed	Check if overloaded, max loading: 45kg;
The desk moving downwards without any operation	
Automatically Self-Reset	Reset;
Go down but not go up or go up but not go down	
The upper and downward height is not enough	
The desk could not lifted	Restart after suspend for 18mins while connecting with power.
Overwork (Duty cycle: Max 2min on/18min OFF)	



## Attention

1. Power supply: AC100V-240V,50/60Hz
2. Service Environment: 0-40°C
3. Unplug the power plug before cleaning, wipe the dust on surface with slight wet dishcloth when cleaning, be careful not to let the drops into the internal parts, not loose the connector.
4. The electric box contains electronic components, metals, plastics, wires etc., so dispose of it in accordance with each country's environmental legislation, not the general household waste.
5. Check carefully to ensure correct and complete assembly before using.
6. Be familiar with all functions and program settings of the product before first use.
7. Children are forbidden to play on the product because of unforeseen action when playing, so any dangerous consequences caused by this improper action will not be on manufacturers.
8. Slight noise caused by the V-ribbed belt or brake system due to structure will not have any effect on the use of the equipment.
9. Corrosive or abrasive materials are forbidden to clean the equipment. Must ensure that the cleaner used will not pollute the environment.
10. This appliance can be used by children aged from 8 years and above and persons with reduced physical, sensory or mental capabilities or lack of experience and knowledge if they have been given supervision or instruction concerning use of the appliance in a safe way and understand the hazards involved. Children shall not play with the appliance.
11. Cleaning and user maintenance shall not be made by children without supervision.
12. If the supply cord is damaged, it must be replaced by the manufacturer, its service agent or a similarly qualified person in order to avoid a hazard.
13. Please make sure there is no hazard sources in your operating environment. e.g., do not litter the tools around. Always be careful to treat the packaging materials in order to avoid any possible danger, e.g. plastic bag may lead to choking hazard to children.
14. Keep the original package of the equipment if necessary in case of the future use in transportation.

## Waste disposal



This marking indicates that this product should not be disposed with other household wastes. To prevent possible harm to the environment or human health from uncontrolled waste disposal, recycle it responsibly to promote the sustainable reuse of material resources. To return your used device, please use the return and collection systems or contact the retailer where the product was purchased. They can take this product for environmental safe recycling.

**A G I L**  
by Inover Home  
Tel. 02822 / 696 79 26  
E-Mail. [info@inoverhome.com](mailto:info@inoverhome.com)

Hindenburgallee 8 46446 Emmerich am Rhein